

IEC appliance inlet C8, screw-on mounting, rear side, solder terminal



Screw-On Version

**Description**

- Panel Mount:
- Screw-on from rear-side Inlet,
- Pin temperature 70 °C, Protection class II
- Solder terminals

Approvals

- VDE License Number: 40017311
- UL License Number: E96454
- CSA License Number: 73165

Weblinks

Approvals, RoHS, CHINA-RoHS, e-Store, SCHURTER-Stock-Check, Distributor-Stock-Check

Technical Data

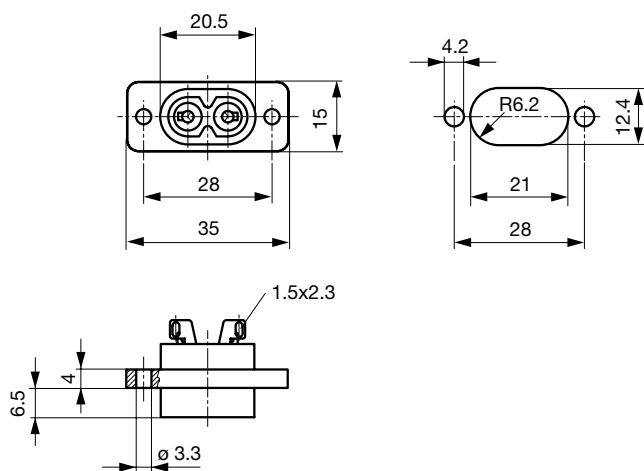
Ratings IEC	2.5 A / 250VAC; 50Hz
Ratings UL/CSA	2.5 A / 250VAC; 60Hz
Dielectric Strength	> 2 kVAC between L-N (1 min/50Hz)
Allowable Operation Temp.	-25 °C to 70 °C
Degree of Protection	from rear-side IP 40 acc. to IEC 60529
Protection Class	Suitable for appliances with protection class II acc. to IEC 61140
Terminal	Solder terminals
Panel Thickness s	Screw-on: max 4 mm Mounting screw torque max 0.5 Nm
Material: Housing	Thermoplastic, black, UL 94V-0

Appliance-Inlet/-Outlet	C8 acc. to IEC/EN 60320-1, UL 498, CSA C22.2 no. 42 (for cold conditions) pin-temperature 70 °C, 2.5 A, Protection class II
-------------------------	---

Dimensions

0720-FS

Length |-----| 35 mm



Solder terminals for wires

Variants

Distributor-Stock-Check | SCHURTER-Stock-Check | e-Store

Type	Panel mounting	Panel Thickness s [mm]	Terminal	Order Number
0720-FS	Screw-on	4	Solder terminals	4300.0096

Packaging unit 50 Pcs
